

30W LED Driver Constant current

LS-30-XXX TRIAC LI

■ Approve

SELV CE

■ Features

- Class II, SELV, independent
- Input Voltage 220-240VAC
- Protections: SCP/OLP/OVP
- Power Factor >0.9
- Efficiency ≥87%
- Support Leading edge & trailing edge dimmable
- 5 years warranty

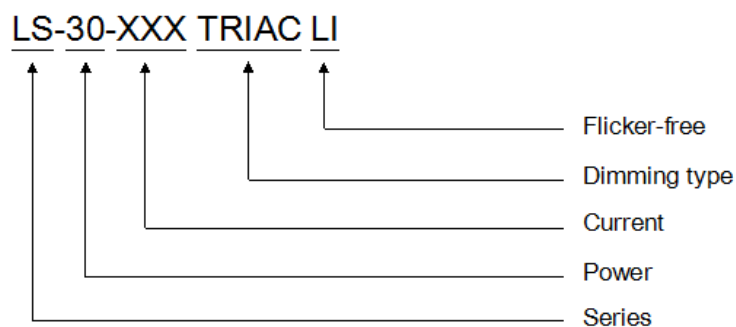
■ Applications(Typ.)

- LED panel
- LED pendant lights
- LED down lights

■ Description

LS-30-XXX TRIAC LI is a 30W constant current LED driver that operates from 198-264Vac input with 350-900mA output current. With it's compact dimensions from 150X45X30 mm it is easy to integrate in LED panel, pendant light and down light products. To ensure trouble-free operation, protection is provided against output short circuit and over Load.

■ Model code



30W LED Driver Constant current

LS-30-XXX TRIAC LI

■ Specification

Input	Rated input voltage	220-240Vac			
	Range of input voltage	198-264Vac			
	Frequency(Hz)	50/60 Hz			
	Power Factor	>0.9@230Vac, full load			
	Input Current max	0.25A MAX. @Full Load,198Vac			
	Start-up time	< 0.5S			
	Unload Power Consumption	≤1W			
	Inrush Current	30A Max.			
	Leakage Current	< 0.7mA(240VAC)			
Output	Constant Current Max. *Note.3	350mA	400mA	...	900mA
	Unload voltage Max. (VDC)	105V	93V	...	49V
	Voltage Range(VDC)	60-85V	50-75V	...	22-34V
	Rated power	29.8W Max.	30W Max.	...	30.6W Max.
	Current Accuracy	±5%@220-240Vac			
	Voltage Regulation	±5% @Full Load, 220-240Vac			
	Load Regulation	±5%@220-240Vac			
	Hold-up Time	1s max.@Full Load			
	Ripple& Noise *Note.2	≤±3% @Full Load,230VAC			
	Output LF current ripple(<120Hz)	≤±3% @Full Load,230VAC			
	Efficiency(Typ.)	≥87%			
Dimming	Dimming mode	Triac , Leading edge & trailing edge dimmable			
	Dimming current range	10% ~ 100%			
Protection	Over Load Protection	103-120% Protection type: Auto Resume			
	Over Voltage Protection	>105VDC	>93VDC	...	> 49VDC
	Short circuit Protection	Protection type: Auto Resume			
Environment	Operating Temperature	-20°C...+45°C			
	tc	70°C			
	Storage Temperature	-20°C...+60°C			
	Life time	> 30,000h@ta=45°C			
	Humidity	20%-90%RH			
Others	Dimension	150X45X30(LXWXH)mm			
Safety & EMC	Safety standards	EN 61347-1; EN61347-2-13; EN62384			
	Withstand voltage	Input-output : 3750V/5mA/1min			
	Isolation resistance	Input-output : ≥4MΩ@500VDC			
	EMI	EN55015; EN61000-3-2 Class C; EN61000-3-3			
	EMS	EN 61547; EN 61000-4-2; EN 61000-4-5 —L-N: 1KV			
Note	1.All parameters NOT specially mentioned are measured at 230VAC input, full load and 25°C of ambient temperature. 2.Ripple & Noise are measured at 20MHz of bandwidth by using a 300mm twisted pair-wire terminated with a 0.1uF & 47 uF parallel capacitor. 3.Output current can be from 350mA to 900mA and increasing in multiples of 50mA. Please see Model list below and contact EAGLERISE for details.				

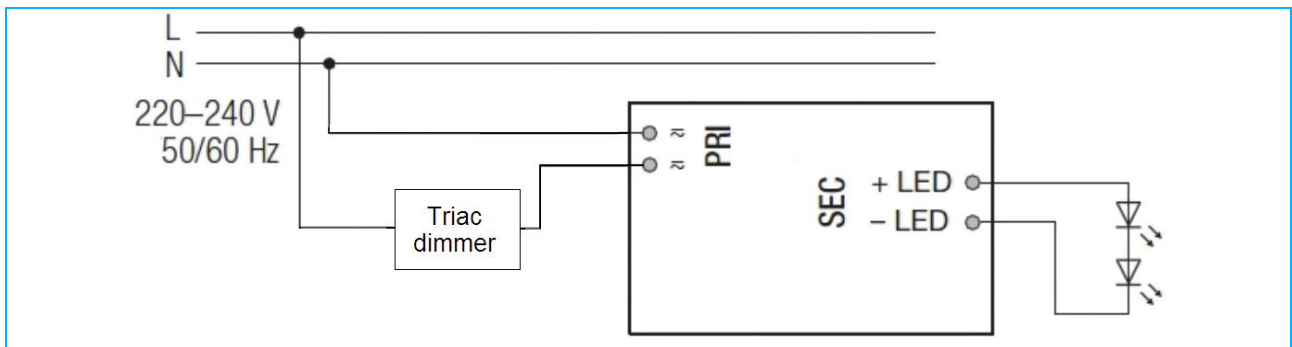
30W LED Driver Constant current

LS-30-XXX TRIAC LI

Model list

No	Model number	Input			Output			Max. Prated(W)
		Voltage (VAC)	Max.Current (A)	Frequency (Hz)	Constant current (mA)	Normal working voltage (VDC)	No load working voltage (VDC)	
1	LS-30-350 TRIAC LI	220-240	0.25	50/60	350	60-85	105	29.8
2	LS-30-400 TRIAC LI	220-240	0.25	50/60	400	50-75	93	30.0
3	LS-30-450 TRIAC LI	220-240	0.25	50/60	450	50-70	88	31.5
4	LS-30-500 TRIAC LI	220-240	0.25	50/60	500	40-60	78	30.0
5	LS-30-550 TRIAC LI	220-240	0.25	50/60	550	35-55	72	30.3
6	LS-30-600 TRIAC LI	220-240	0.25	50/60	600	35-50	65	30.0
7	LS-30-650 TRIAC LI	220-240	0.25	50/60	650	30-45	62	29.3
8	LS-30-700 TRIAC LI	220-240	0.25	50/60	700	27-42	57	29.4
9	LS-30-750 TRIAC LI	220-240	0.25	50/60	750	27-40	55	30.0
10	LS-30-800 TRIAC LI	220-240	0.25	50/60	800	27-40	55	32.0
11	LS-30-850 TRIAC LI	220-240	0.25	50/60	850	24-37	52	31.5
12	LS-30-900 TRIAC LI	220-240	0.25	50/60	900	22-34	49	30.6

Wiring diagram



30W LED Driver Constant current

LS-30-XXX TRIAC LI

■ Operating window

